

LCS Controls, we measure accurate

We, LCS Controls is a leading manufacturer of industrial weighing and Customized Solution Partner. Our mission is to increase the reliability, safety, and efficiency of our customers' production processes.

- ✓ SWS Series is a Low Speed & High Capacity Offline (Static) Checkweigher system.
- ✓ Weighing Range upto 30Kg with High Accuracy
- ✓ High Accuracy with Reliable performance & Cost Effective
- ✓ Easy to install and Easy to operate – very user friendly.
- ✓ Model approved by Weights & Measures Department.
- ✓ Proud to be a MAKE IN INDIA product.
- ✓ We provide high-quality products, solutions, and services that ensure a high level of safety all under one roof now, a total onestop solution provider for all.
- ✓ We are an ISO 9001 – 2015 Certified Company
- ✓ Industry Standard Variant available – Standalone Type and Retrofit Type.

Our strong Domestic and global presence and an extensive network of distribution partners ensure that our customers can rely on top LCS Controls Product quality– anytime, anywhere. Our strong standards in all areas of our company, which is reflected in our brand slogan,

“Your Partner in Weighing and Automation”.

Our Customers / Channel partners are choosing top-quality service performance and complete support throughout the entire life cycle of their product. We are reliable, Capable & Affordable.



MODEL
SWS
SERIES

CABLE & WIRES INDUSTRIES



FMCG INDUSTRIES



SUGGESTED PRODUCT SUITS FOR SWS SERIES OFFLINE CHECK WEIGHER SYSTEM

PRODUCT CATEGORY

Packed Carton Boxes

End Line Measuring

Cable and Coils Measuring

Retrofit @ Carton Tapping M/C's

Retrofit @ Auto Strapping M/C's

Flat base Tins and Cans

INDUSTRIES WE SERVED

- ✓ FMCG'S
- ✓ PHARMA INDUSTRIES
- ✓ BREWERY INDUSTRIES
- ✓ BABY PRODUCTS
- ✓ DAIRY INDUSTRIES
- ✓ CABLE AND WIRES INDUSTRIES
- ✓ ALL PACKAGING INDUSTRI

SWS SERIES PRODUCT SPECIFICATION: PRODUCT CODE: AW-SWS

PRODUCT DESCRIPTION	SPECIFICATIONS
MOC	SS / MS
Weighing Range	100 gm to 30Kg
Weigh zone size	L: 550 x W: 450mm
Best Accuracy	+/- 10 gm
Measuring Product size	Minimum Size: L: 200mm x W: 200mm/
	Maximum Size: L: 550mm x W: 450mm
Max Throughput (Speed)	Upto 8 PPM
Conveyor Height	750mm +/-50mm
Alarm Type	Visual and Alarm
Rejection Type	Stopper, External Pusher

PRODUCTS CAN BE HANDLED ON B4S SERIES ONLINE CHECKWEIGHER SYSTEM

PACKAGING INDUSTRIES



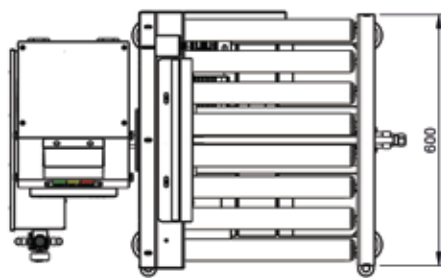
CABLE & COIL INDUSTRIES



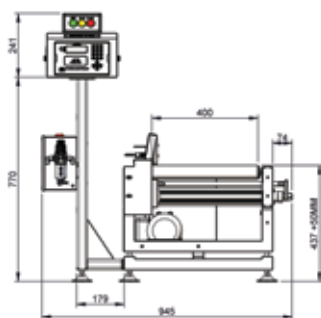
FOOD PACKAGING INDUSTRIES



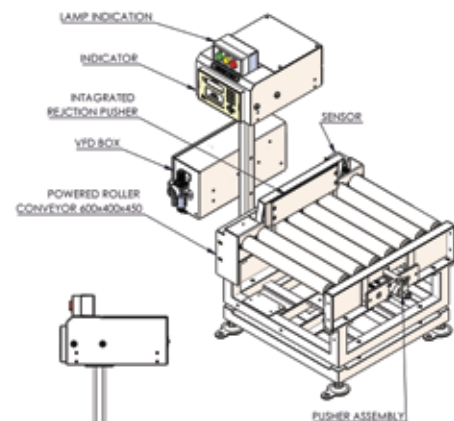
GROCERY INDUSTRIES



PLAN



ELEVATION
GA. OF BM-STATIC CHECKWEIGHER



SIDE VIEW

GENERAL NOTES		LCS CONTROLS PVT LTD	
1. All units shall be installed in accordance with the instructions.	2. All units shall be installed in accordance with the instructions.	3. All units shall be installed in accordance with the instructions.	4. All units shall be installed in accordance with the instructions.
5. All units shall be installed in accordance with the instructions.	6. All units shall be installed in accordance with the instructions.	7. All units shall be installed in accordance with the instructions.	8. All units shall be installed in accordance with the instructions.
9. All units shall be installed in accordance with the instructions.	10. All units shall be installed in accordance with the instructions.	11. All units shall be installed in accordance with the instructions.	12. All units shall be installed in accordance with the instructions.
13. All units shall be installed in accordance with the instructions.	14. All units shall be installed in accordance with the instructions.	15. All units shall be installed in accordance with the instructions.	16. All units shall be installed in accordance with the instructions.
17. All units shall be installed in accordance with the instructions.	18. All units shall be installed in accordance with the instructions.	19. All units shall be installed in accordance with the instructions.	20. All units shall be installed in accordance with the instructions.
21. All units shall be installed in accordance with the instructions.	22. All units shall be installed in accordance with the instructions.	23. All units shall be installed in accordance with the instructions.	24. All units shall be installed in accordance with the instructions.
25. All units shall be installed in accordance with the instructions.	26. All units shall be installed in accordance with the instructions.	27. All units shall be installed in accordance with the instructions.	28. All units shall be installed in accordance with the instructions.
29. All units shall be installed in accordance with the instructions.	30. All units shall be installed in accordance with the instructions.	31. All units shall be installed in accordance with the instructions.	32. All units shall be installed in accordance with the instructions.
33. All units shall be installed in accordance with the instructions.	34. All units shall be installed in accordance with the instructions.	35. All units shall be installed in accordance with the instructions.	36. All units shall be installed in accordance with the instructions.
37. All units shall be installed in accordance with the instructions.	38. All units shall be installed in accordance with the instructions.	39. All units shall be installed in accordance with the instructions.	40. All units shall be installed in accordance with the instructions.
41. All units shall be installed in accordance with the instructions.	42. All units shall be installed in accordance with the instructions.	43. All units shall be installed in accordance with the instructions.	44. All units shall be installed in accordance with the instructions.
45. All units shall be installed in accordance with the instructions.	46. All units shall be installed in accordance with the instructions.	47. All units shall be installed in accordance with the instructions.	48. All units shall be installed in accordance with the instructions.
49. All units shall be installed in accordance with the instructions.	50. All units shall be installed in accordance with the instructions.	51. All units shall be installed in accordance with the instructions.	52. All units shall be installed in accordance with the instructions.
53. All units shall be installed in accordance with the instructions.	54. All units shall be installed in accordance with the instructions.	55. All units shall be installed in accordance with the instructions.	56. All units shall be installed in accordance with the instructions.
57. All units shall be installed in accordance with the instructions.	58. All units shall be installed in accordance with the instructions.	59. All units shall be installed in accordance with the instructions.	60. All units shall be installed in accordance with the instructions.
61. All units shall be installed in accordance with the instructions.	62. All units shall be installed in accordance with the instructions.	63. All units shall be installed in accordance with the instructions.	64. All units shall be installed in accordance with the instructions.
65. All units shall be installed in accordance with the instructions.	66. All units shall be installed in accordance with the instructions.	67. All units shall be installed in accordance with the instructions.	68. All units shall be installed in accordance with the instructions.
69. All units shall be installed in accordance with the instructions.	70. All units shall be installed in accordance with the instructions.	71. All units shall be installed in accordance with the instructions.	72. All units shall be installed in accordance with the instructions.
73. All units shall be installed in accordance with the instructions.	74. All units shall be installed in accordance with the instructions.	75. All units shall be installed in accordance with the instructions.	76. All units shall be installed in accordance with the instructions.
77. All units shall be installed in accordance with the instructions.	78. All units shall be installed in accordance with the instructions.	79. All units shall be installed in accordance with the instructions.	80. All units shall be installed in accordance with the instructions.
81. All units shall be installed in accordance with the instructions.	82. All units shall be installed in accordance with the instructions.	83. All units shall be installed in accordance with the instructions.	84. All units shall be installed in accordance with the instructions.
85. All units shall be installed in accordance with the instructions.	86. All units shall be installed in accordance with the instructions.	87. All units shall be installed in accordance with the instructions.	88. All units shall be installed in accordance with the instructions.
89. All units shall be installed in accordance with the instructions.	90. All units shall be installed in accordance with the instructions.	91. All units shall be installed in accordance with the instructions.	92. All units shall be installed in accordance with the instructions.
93. All units shall be installed in accordance with the instructions.	94. All units shall be installed in accordance with the instructions.	95. All units shall be installed in accordance with the instructions.	96. All units shall be installed in accordance with the instructions.
97. All units shall be installed in accordance with the instructions.	98. All units shall be installed in accordance with the instructions.	99. All units shall be installed in accordance with the instructions.	100. All units shall be installed in accordance with the instructions.

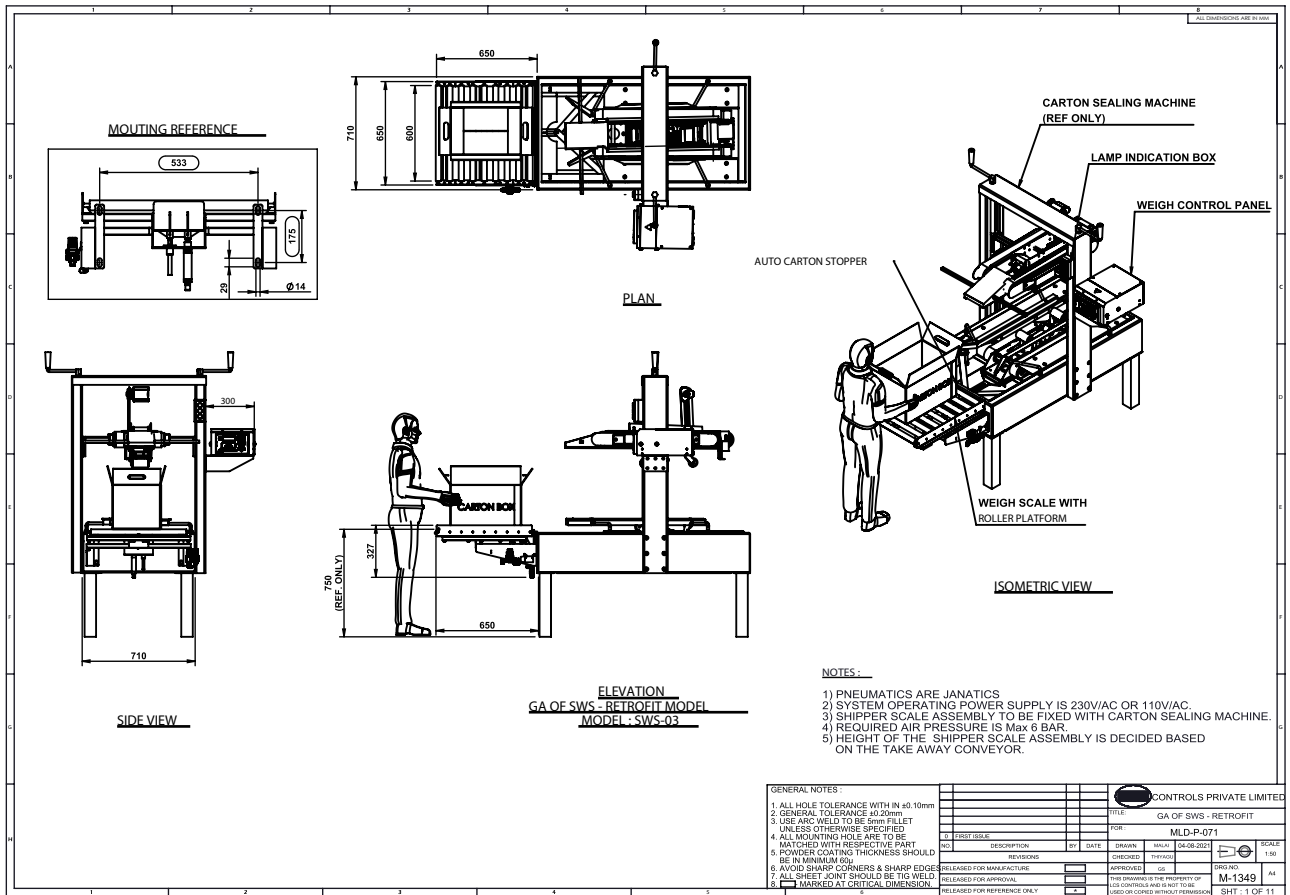
OFFLINE CHECKWEIGHER



Partner in weighing & automation

OFFLINE CHECKWEIGHER SYSTEM

OFFLINE (SHIPPER) CHECK WEIGHER, MODEL: AW – SWS SERIES



OFFLINE CHECK WEIGHER



LCS Controls Private Limited

34 & 35, First link street, Nehru Nagar, off Rajiv Gandhi Salai, Kottivakkam, Chennai - 600 041, India.

Phone : +91-44-2454 2510

Mobile : +91-94440 24124 / 24125 / 24537, +91-94450 62898

E Mail : sales@lcscontrols.in Website : www.lcscontrols.in

Singapore office

LCS Controls Pte Ltd

No: 10, Ubi Crescent #03-37 Ubi Techpark Lobby C, Singapore - 408564.

☎ +65 66522831

☎ +65 8113 1946

✉ sales@lcscon.com 🌐 www.lcscon.com