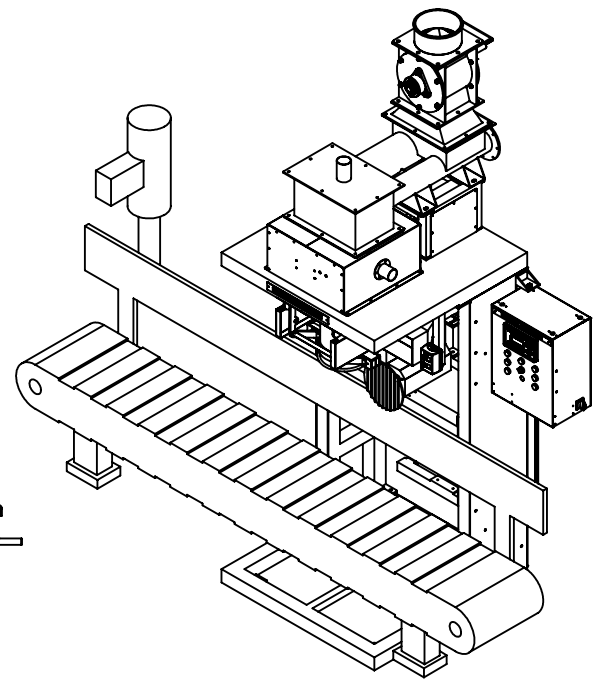
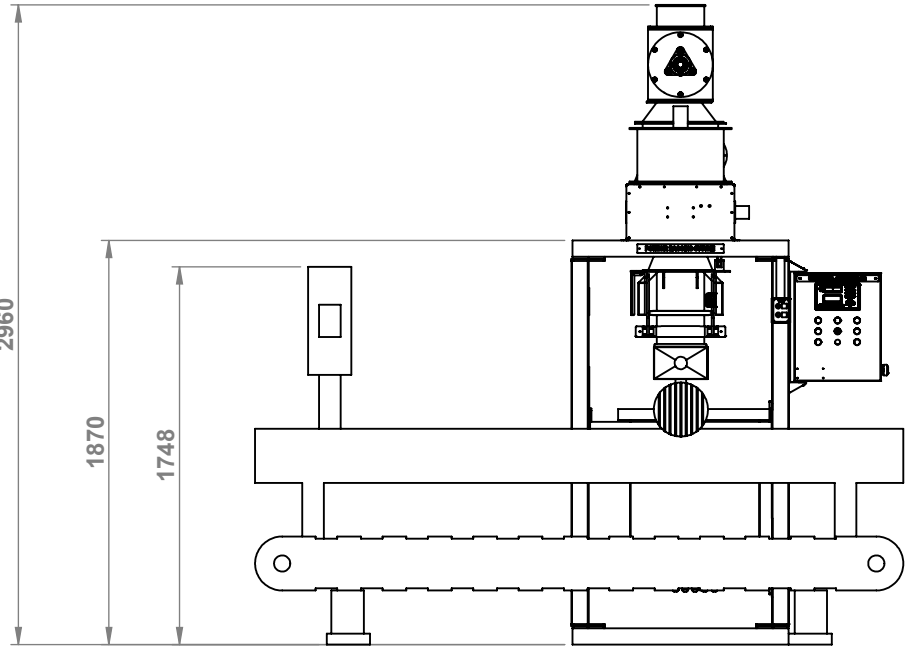


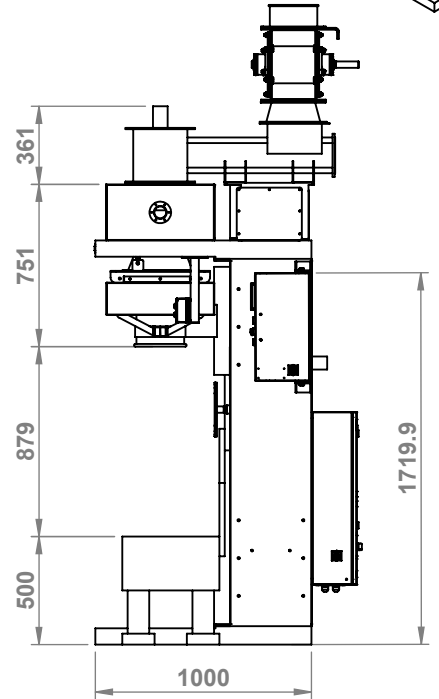
PLAN



ISOMETRIC VIEW



**ELEVATION
DETAIL OF GA OF POWDER BAGGING SYSTEM
MODEL NO: AWSFS-SF-MS/AWSFS-SF-SS304**



SIDE VIEW

- GENERAL NOTES :
1. ALL HOLE TOLERANCE WITH IN $\pm 0.10\text{mm}$
 2. GENERAL TOLERANCE $\pm 0.20\text{mm}$
 3. USE ARC WELD TO BE 5mm FILLET UNLESS OTHERWISE SPECIFIED
 4. ALL MOUNTING HOLE ARE TO BE MATCHED WITH RESPECTIVE PART
 5. POWDER COATING THICKNESS SHOULD BE IN MINIMUM 60 μ
 6. AVOID SHARP CORNERS & SHARP EDGES
 7. ALL SHEET JOINT SHOULD BE TIG WELD.
 8. MARKED AT CRITICAL DIMENSION.

				LCS CONTROLS PRIVATE LIMITED	
				TITLE: GA POWDER BAGGING SYSTEM	
				FOR: AWSFS-SF	
0	FIRST ISSUE				
NO.	DESCRIPTION	BY	DATE	DRAWN	CHECKED
	REVISIONS			SANTHOSH	THYAGU
	RELEASED FOR MANUFACTURE	<input type="checkbox"/>		APPROVED	HSAM
	RELEASED FOR APPROVAL	<input type="checkbox"/>		THIS DRAWING IS THE PROPERTY OF LCS CONTROLS AND IS NOT TO BE USED OR COPIED WITHOUT PERMISSION	
	RELEASED FOR REFERENCE ONLY	<input type="checkbox"/>			
				SCALE: 1:50	
				DRG. NO. M - 1169	
				A4	
				SHT. 01 OF 36	