

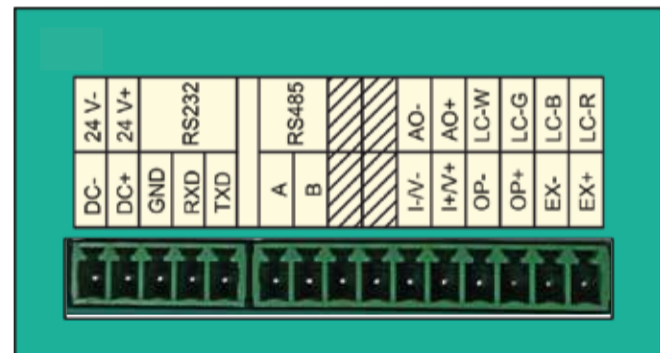


TECHNICAL SPECIFICATIONS

- DISPLAY : 5 digit bright red color LED display
- A/D CONVERTER : Internal 20-bit, External 16-bit resolution
- Conversion Rate : 10 Samples/Sec
- LOADCELLS : Drives 6 Load cells of 350 Ω
- POWER SUPPLY : 24V DC/1.5 A , Power Consumption ,13 watts max
- DIMENSION : DIN STD 101 x 119.5 mm,Depth-45mm

MODEL	WT-20
ANALOG OUTPUT	0-5V/0-10V, 0 -20mA 1-5V/2-10V, 4-20mA
SERIAL PORTS	RS232 /RS485 (Half Duplex)
PROTOCOLS	MODBUS RTU/ASCII/ LCS Request/Dump

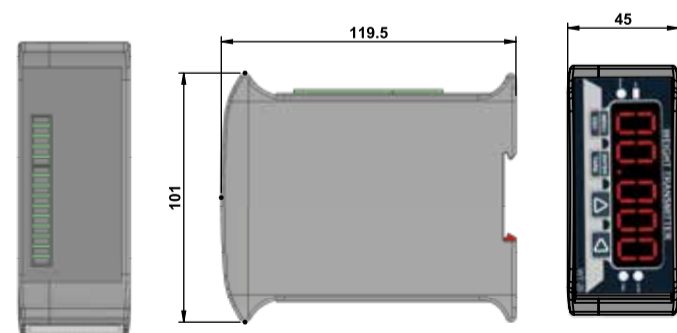
CONNECTION DETAILS



APPLICATION

- ★ PLC based weighing automation
- ★ Tank & Silo Weighing
- ★ Concrete Batching
- ★ Batch Weighing
- ★ Bag filling

GA DIAGRAM



LCS Controls Private Limited

34 & 35, First link street, Nehru Nagar, off Rajiv Gandhi Salai, Kottivakkam, Chennai - 600 041, India.

Phone : 044-40068302

Mobile : +91- 94440 24124/ +91-75500 00970/ +91-89255-7448

E Mail : sales@lcscontrols.in Website : www.lcscontrols.in

